

# PCA PowerStations

Our Next Generation Industrial PC  
PowerStation provides powerful  
processing in a rugged, thin package



Parker's PCA, the Industrial PC PowerStation, provides a rugged exoskeleton with more processing power than ever before in a fan-less, esthetic design that exceeds even modern expectations.

## Unleash Your Application

The PCA contains a quad core processor that unlocks the power of any 3rd party or in-house developed application.

Communicate with multiple devices using dual-LAN, multiple USB, or traditional serial ports. With a configurable RS232/422/485 serial port the PCA does not constrain your communication options.

The PCA provides immersive and rich colors to graphics, animations, and critical data updates faster than ever before. All this paired with the incredibly responsive touch screen allows you to unleash your application.

## Reduced Cabinet Size

As machines have reduced in size, space saving within enclosures has become an increasingly important feature.

Offered in a variety of sizes from a compact 7" to a immersive 22", the PCA depth of each HMI offers minimal intrusion into the cabinet allowing the PCA to fit where other Industrial PCs cannot.

The widescreen aspect ratio provides 40% more screen space over a traditional 4:3 ratio, providing room for additional functionality or a decluttered screen that provides clear information and reduces opportunity for operator error.

With it's minimal footprint, the PCA's ultra-efficient processor limits energy usage and heat generation allowing closer spacing with other devices in the same cabinet space.

## Increased Reliability

The PCA is not a standard Industrial PC, every aspect of it's design protects against common failure modes to provide long lasting and reliable operation and to eliminate machine downtime and maintenance.

The PCA's fan-less design allows users to install-and-forget by avoiding the most common component failure in Industrial PCs: the fan.

In addition, the PCAs ventless design helps shield against metal filings and other contaminants from entering into the unit eliminating any need to internally dust or clean the unit.

Coupled with a mechanically reinforced SSD and intensive shock and vibration specifications, the PCA is meant to withstand the most intense industrial applications.

## Secure Remote Access

Easily win over IT with Dual LAN ports that enable users to separate machine networks to those exposed to either the office network or the Internet.

This is especially critical in applications implementing motion or process control software where safety is a concern.



## PCA Features

- 7, 10, 15 and 22" touchscreen displays
- No display option
- 1.83GHz Quad Core
- 4GB DDR3L
- 2 USB, 2 Serial, 2 LAN ports
- 64 GB SSD
- Slim 1.3" cabinet depth
- Fan-less and vent-less
- IP65 aluminum bezel
- Analog resistive & projected capacitive touchscreen options



ENGINEERING YOUR SUCCESS.

## Same Form Factor, Endless Applications

The PCA is part of Parker's Next Generation of HMI and Industrial PC product lines.

Offering the same esthetics for machine level, supervisory HMI, and Industrial PCs allows for a seamless design and consistent brand image across product ranges.

The PCA, IX, and XT series offer the same mechanical fit between their respective sizes. This reduces the engineering time for different machine options or varying applications.



7" and 15" XT Series running Interact Xpress

## The Next Generation Product Family

### IX InteractX PowerStation



The IX and PCA run on the same hardware providing powerful performance for any application. However, the IX comes pre-loaded with Parker's InteractX runtime.

InteractX is a supervisory level Windows HMI that leads the industry with breakthrough HMI graphics and built-in connectivity.

InteractX 4.0 provides powerful trending and analysis tools that aggregate data from multiple machines or work-cells, and easily pulls Interact Xpress machine level HMI screens and data directly into its interface—without having to recreate applications or input tags!

- Full featured historical trending software
- Sophisticated recipe management tools included
- ActiveX controls for easy integration of 3<sup>rd</sup> party tools
- Includes Visual Basic for applications (VBA) for advanced customization
- Vast 3<sup>rd</sup> party OPC client/server support
- One-click multi-language support
- Unlimited tags
- 50+ communication drivers

### XT Xpress Terminal

Far more than a push-button replacement, the XT includes Parker's award winning Xpress Terminal software that allows connectivity over the web enabling Information Anywhere™! Six pre-made levels of security allow machine builders to easily provide remote access to users on any device either a PC, iOS or Android using Parker's Remote Manager App.

- 50+ Communication drivers to PLCs and various industrial devices
- Drag and drop GUI simplifying machine development
- Sophisticated recipe management tools included
- Preconfigured and custom Panel tool library for quick screen development

# PCA PowerStation Specifications

Features	PCA-000	PCA-007	PCA-010	PCA-015	PCA-022	
Size		7"	10.1"	15.6"	21.5"	
Resolution	Headless PCA; has no display, but has an HDMI and VGA video out port	WVGA (800x480)	WXGA (1280x800)	FWXGA (1366x768)	HD (1920x1080)	
Viewing Angle		140(H) / 110(V)	160(H) / 160(V)	160(H) / 160(V)	178(H) / 178(V)	
Brightness		350 cd/m2	350 cd/m2	300 cd/m2	250 cd/m2	
Bulb Life (hrs)		40,000	40,000	50,000	30,000	
Weight (lbs)		2.0	2.58	4.24	10.34	16.94
Touch Interface		—	Analog Resistive	Analog Resistive	Analog Resistive	Analog Resistive or Projected Capacitive
Power Input	12/24 VDC @ 7W	12/24 VDC @ 9W	12/24 VDC @ 11W	12/24 VDC @ 18W	12/24 VDC @ 20W	
Processor & RAM	Intel Bay Trail N2930 (1.83 GHz Quad Core) with 4GB DDR3L					
SD Storage	64 GB SSD					
Operating System	Windows Embedded Standard 7P or Windows 10 Enterprise 2016 LTSB					
Ports	USB	(3) USB 2.0; (1) USB 3.0	(1) USB 2.0; (1) USB 3.0			
	Serial	(1) RS-232/422/485; (1) RS-232				
	Ethernet	(2) 1000 Base-T, RJ45				
	Audio Out	(1) Audio Out				
Environment	Operating Temp	-10 – 60 °C	0 - 50 °C			
	Storage Temp	-40 - 85 °C	- 20 - 60 °C			
	Rel. Humidity	10-90% @ 40°C, non-condensing				
	Vibration	5-500 Hz: 1 Grms random				
	Shock	15 G peak @ 11 msec				
IP Rating	IP65 Front Bezel					
Agency Approval	CE, UL/cUL, IEC/EN61010, FCC Class A, Haz-Loc (Class1 Div2) , RoHS, REACH					

## PCA Ordering Information

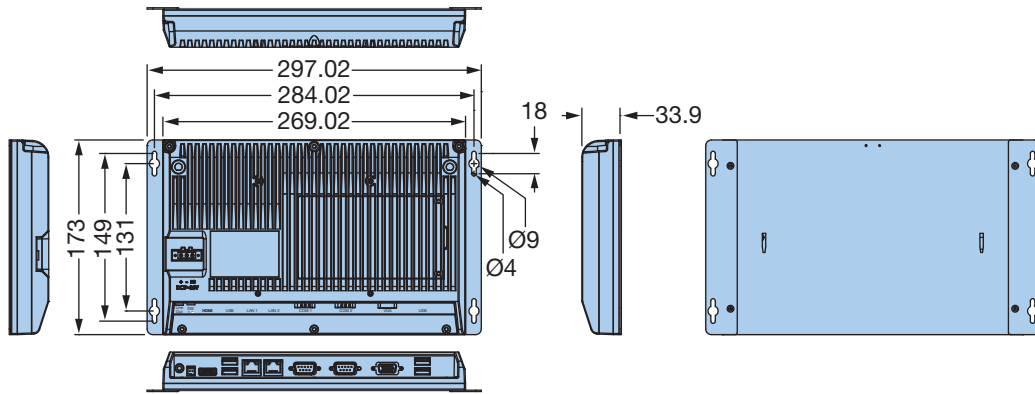
	1	2	-	3	-	4	5	6	-	7	8
Order example	PC	A	-	015	-	3	R	3	-	1	3

<b>1 Series</b>	<b>PC</b>	Industrial PC Powerstation
<b>2 Bezel Type</b>	<b>A</b>	Aluminum
<b>3 Size</b>	<b>000</b>	Headless Display
	<b>007</b>	7" Touchscreen
	<b>010</b>	10" Touchscreen
	<b>015</b>	15" Touchscreen
	<b>022</b>	22" Touchscreen
<b>4 Processor</b>	<b>3</b>	Intel N2930 Bay Trail

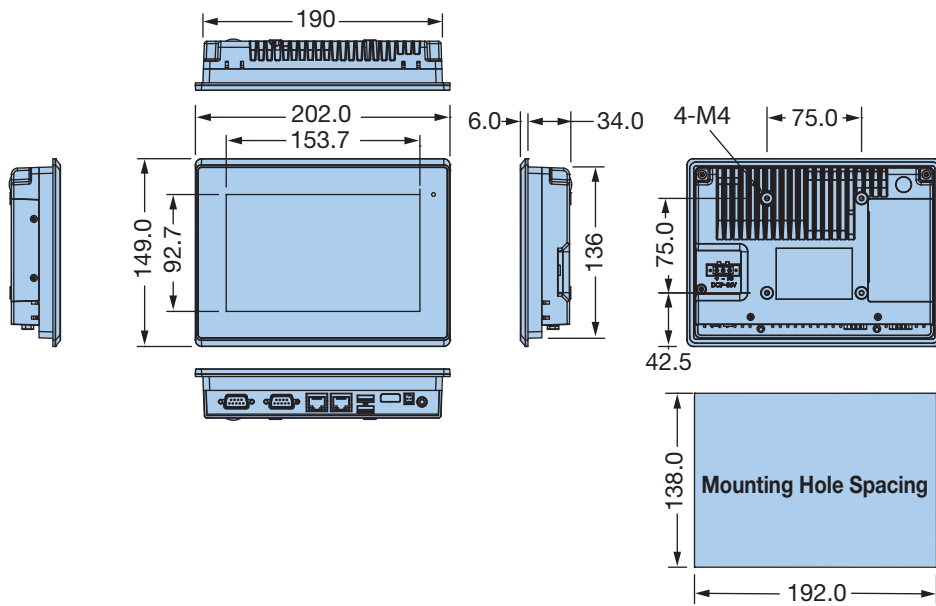
<b>5 Touch Options</b>	<b>N</b>	No display
	<b>R</b>	Analog resistive touch
	<b>P</b>	Projective capacitive
<b>6 Storage</b>	<b>3</b>	64GB solid state drive
<b>7 Operating System</b>	<b>1</b>	Windows 10 Enterprise 2016 LTSB
	<b>5</b>	Windows Embedded Standard 7P
<b>8 Agency Approvals</b>	<b>3</b>	CE, UL/cUL, IEC/EN61010
	<b>5</b>	Haz-Loc (Class 1 Div2)

# Dimensions [mm, mounting hole tolerance $\pm 0.5$ ]

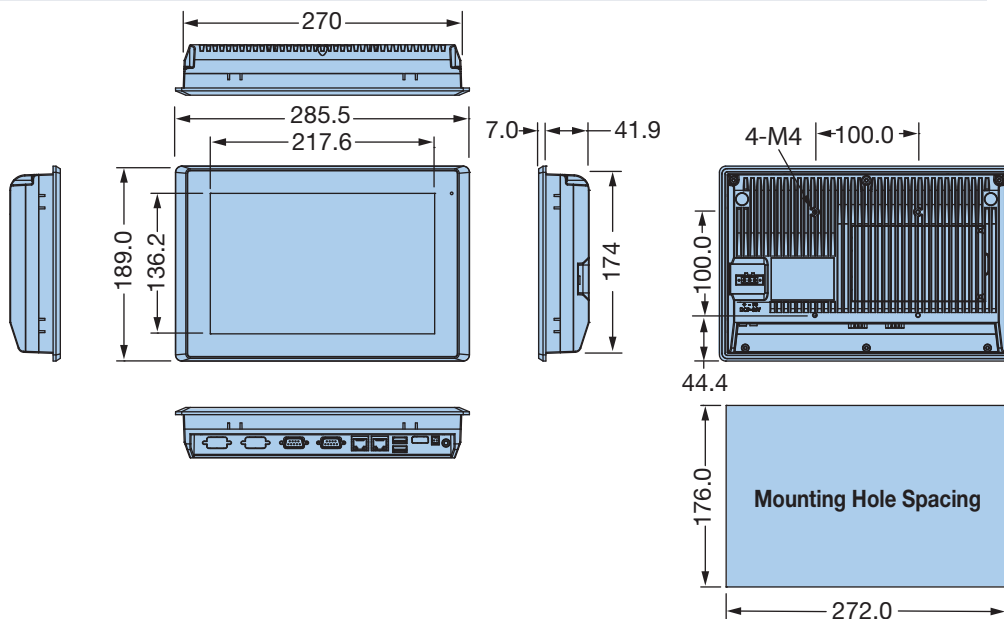
PCA-000



PCA-007

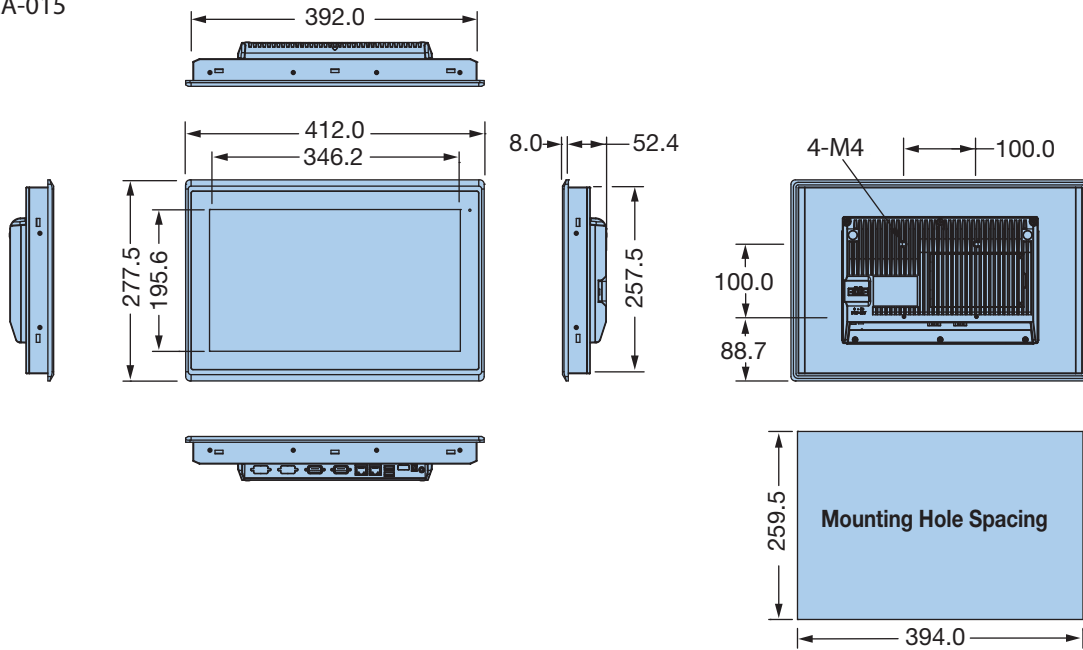


PCA-010

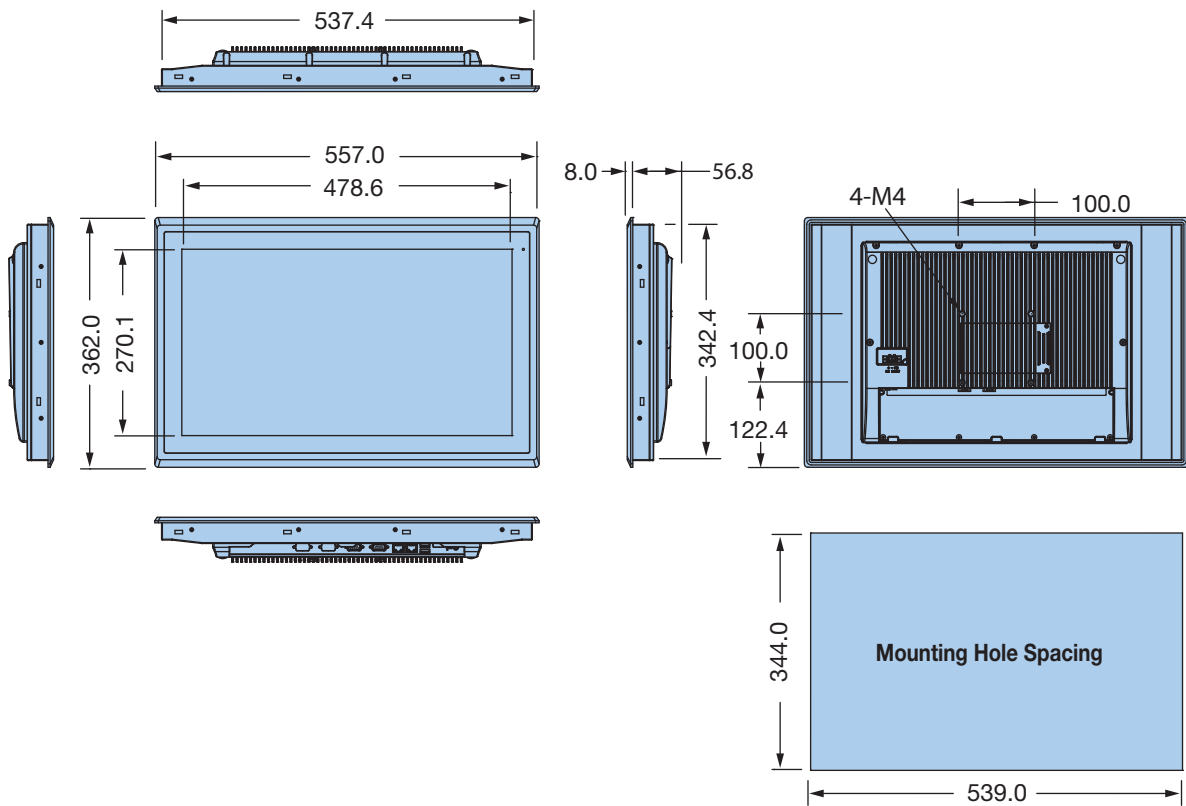


# Dimensions [mm, mounting hole tolerance $\pm 0.5$ ]

PCA-015



PCA-022



# Parker Worldwide

## Europe, Middle East, Africa

**AE – United Arab Emirates, Dubai**  
Tel: +971 4 8127100  
parker.me@parker.com

**AT – Austria, St. Florian**  
Tel: +43 (0)7224 66201  
parker.austria@parker.com

**AZ – Azerbaijan, Baku**  
Tel: +994 50 2233 458  
parker.azerbaijan@parker.com

**BE/NL/LU – Benelux, Hendrik Ido Ambacht**  
Tel: +31 (0)541 585 000  
parker.nl@parker.com

**BG – Bulgaria, Sofia**  
Tel: +359 2 980 1344  
parker.bulgaria@parker.com

**BY – Belarus, Minsk**  
Tel: +48 (0)22 573 24 00  
parker.poland@parker.com

**CH – Switzerland, Etoy**  
Tel: +41 (0)21 821 87 00  
parker.switzerland@parker.com

**CZ – Czech Republic, Klecany**  
Tel: +420 284 083 111  
parker.czechrepublic@parker.com

**DE – Germany, Kaarst**  
Tel: +49 (0)2131 4016 0  
parker.germany@parker.com

**DK – Denmark, Ballerup**  
Tel: +45 43 56 04 00  
parker.denmark@parker.com

**ES – Spain, Madrid**  
Tel: +34 902 330 001  
parker.spain@parker.com

**FI – Finland, Vantaa**  
Tel: +358 (0)20 753 2500  
parker.finland@parker.com

**FR – France, Contamine s/Arve**  
Tel: +33 (0)4 50 25 80 25  
parker.france@parker.com

**GR – Greece, Piraeus**  
Tel: +30 210 933 6450  
parker.greece@parker.com

**HU – Hungary, Budaörs**  
Tel: +36 23 885 470  
parker.hungary@parker.com

**IE – Ireland, Dublin**  
Tel: +353 (0)1 466 6370  
parker.ireland@parker.com

**IL – Israel**  
Tel: +39 02 45 19 21  
parker.israel@parker.com

**IT – Italy, Corsico (MI)**  
Tel: +39 02 45 19 21  
parker.italy@parker.com

**KZ – Kazakhstan, Almaty**  
Tel: +7 7273 561 000  
parker.easteurope@parker.com

**NO – Norway, Asker**  
Tel: +47 66 75 34 00  
parker.norway@parker.com

**PL – Poland, Warsaw**  
Tel: +48 (0)22 573 24 00  
parker.poland@parker.com

**PT – Portugal**  
Tel: +351 22 999 7360  
parker.portugal@parker.com

**RO – Romania, Bucharest**  
Tel: +40 21 252 1382  
parker.romania@parker.com

**RU – Russia, Moscow**  
Tel: +7 495 645-2156  
parker.russia@parker.com

**SE – Sweden, Borås**  
Tel: +46 (0)8 59 79 50 00  
parker.sweden@parker.com

**SK – Slovakia, Banská Bystrica**  
Tel: +421 484 162 252  
parker.slovakia@parker.com

**SL – Slovenia, Novo Mesto**  
Tel: +386 7 337 6650  
parker.slovenia@parker.com

**TR – Turkey, Istanbul**  
Tel: +90 216 4997081  
parker.turkey@parker.com

**UA – Ukraine, Kiev**  
Tel: +48 (0)22 573 24 00  
parker.poland@parker.com

**UK – United Kingdom, Warwick**  
Tel: +44 (0)1926 317 878  
parker.uk@parker.com

**ZA – South Africa, Kempton Park**  
Tel: +27 (0)11 961 0700  
parker.southafrica@parker.com

## North America

**CA – Canada, Milton, Ontario**  
Tel: +1 905 693 3000

**US – USA, Cleveland**  
Tel: +1 216 896 3000

## Asia Pacific

**AU – Australia, Castle Hill**  
Tel: +61 (0)2-9634 7777

**CN – China, Shanghai**  
Tel: +86 21 2899 5000

**HK – Hong Kong**  
Tel: +852 2428 8008

**IN – India, Mumbai**  
Tel: +91 22 6513 7081-85

**JP – Japan, Tokyo**  
Tel: +81 (0)3 6408 3901

**KR – South Korea, Seoul**  
Tel: +82 2 559 0400

**MY – Malaysia, Shah Alam**  
Tel: +60 3 7849 0800

**NZ – New Zealand, Mt Wellington**  
Tel: +64 9 574 1744

**SG – Singapore**  
Tel: +65 6887 6300

**TH – Thailand, Bangkok**  
Tel: +662 186 7000

**TW – Taiwan, Taipei**  
Tel: +886 2 2298 8987

## South America

**AR – Argentina, Buenos Aires**  
Tel: +54 3327 44 4129

**BR – Brazil, Sao Jose dos Campos**  
Tel: +55 800 727 5374

**CL – Chile, Santiago**  
Tel: +56 2 623 1216

**MX – Mexico, Toluca**  
Tel: +52 72 2275 4200



Parker Hannifin Corporation  
**Electronic Motion and Controls Div.**

1140 Sandy Hill Road  
Irwin, PA 15642 USA  
phone (800) 358-9070  
parker.com/emdusa